



PART OF ASPIRE GROUP

## SJIII 3215/19 ELECTRIC SCISSOR LIFTS



### STANDARD FEATURES

- Drivable at full height with roll out deck fully extended
- Variable speed, front two wheel hydraulic drive
- 90° Steering (zero inside turning radius)
- Dual holding brakes
- Proportional controls for drive & lift functions
- 0.91 m Roll out extension deck
- 24V DC Power source
- Low voltage battery protection
- Relay-based control system
- SKYCODED™ Colour coded and numbered wiring system
- 30% Gradeability
- Solid rubber, non-marking tyres
- Pothole protection system
- Wiring for AC outlet on platform
- Tilt alarm with drive & lift cut-out
- Overload sensing system
- Lowering warning system
- Operator horn
- Half height spring hinged gate
- Hinged railing system
- Lanyard attachment points
- Forklift pockets and tie down/lift lugs

### ACCESSORIES AND OPTIONS

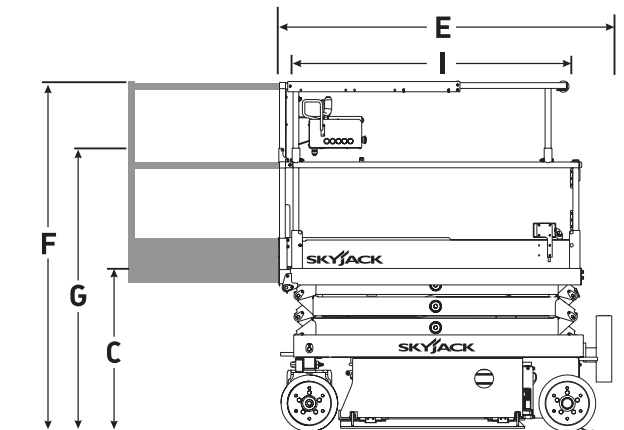
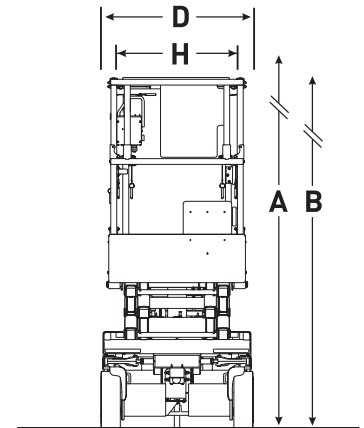
- Flashing light
- All motion audible alarm
- 250Ah Batteries
- Dual flashing lights
- AGM Batteries
- Shroud-style control box guard
- Pipe racks
- Drywall/board carrier
- Secondary Guarding Lift Enable (SGLE)
- ELEVATE telematics

† Standard lead times may be increased when optional equipment is added, consult factory.

‡ Capacities, and machine weights may differ when options are added.

## SJIII 3215/19 ELECTRIC SCISSOR LIFTS

Dimensions	SJIII 3215	SJIII 3219
<b>A</b> Work Height	6.57 m	7.79 m
<b>B</b> Raised Platform Height	4.57 m	5.79 m
<b>C</b> Lowered Platform Height	0.88 m	0.99 m
<b>D</b> Overall Width	0.81 m	0.81 m
<b>E</b> Overall Length	1.78 m	1.78 m
<b>F</b> Stowed Height (Rails Up)	1.98 m	2.10 m
<b>G</b> Stowed Height (Rails Down)	1.63 m	1.75 m
<b>H</b> Platform Width (Inside Dimension)	0.66 m	0.66 m
<b>I</b> Platform Length (Inside Dimension)	1.63 m	1.63 m
Specifications	SJIII 3215	SJIII 3219
Extension Deck (Roll Out)	0.91 m	0.91 m
Ground Clearance (Stowed)	6.03 cm	6.03 cm
Ground Clearance (Raised)	1.78 cm	1.78 cm
Wheelbase	1.40 m	1.40 m
Weight	1,120 kg	1,312 kg
Gradeability	30%	25%
Turning Radius (Inside)	0	0
Turning Radius (Outside)	1.68 m	1.68 m
Lift Time (With Rated Load)	23 sec	25 sec
Lower time (With Rated Load)	24 sec	29 sec
Drive Speed (Stowed)	3.1 km/h	3.1 km/h
Drive Speed (Raised)	1.1 km/h	1.1 km/h
Maximum Drive Height	Full Height	Full Height
Capacity (Overall)	227 kg	227 kg
Distributed Capacity (Main Platform)	114 kg	114 kg
Distributed Capacity (Extension Deck)	113 kg	113 kg
Local Floor Load (With Rated Load)	742 kPa	782 kPa
Overall Floor Load (With Rated Load)	9 kPa	11 kPa
Maximum # of Persons (indoor/outdoor)	2/1	2/1
Tyre Type	Solid, N/M	Solid, N/M
Tyre Size	12 x 4 x 8	12 x 4 x 8



**PART OF ASPIRE GROUP**

**Skyjack UK**  
Unit 1, Maes-y-Clawdd  
Maesbury Road Industrial Estate  
Oswestry, Shropshire, SY10 8NN  
Tel: +44 1691 676235  
Fax: +44 1691 676239  
Email: info@skyjackeurope.co.uk

**Skyjack SAS (France)**  
74 Rue Sibert  
F-42400 Saint Chamond  
France  
Tel: +33 (0) 4 78 73 53 32  
Tel: +33 (0) 4 78 73 05 68  
Fax: +33 (0) 4 78 56 52 42

**Skyjack Hebebühnen GmbH (Germany)**  
Därmanbusch 2a  
D-58456 Witten  
Tel: +49 (0) 2302 20 26 909  
Fax: +49 (0) 2302 20 25 671

**Skyjack AB (Sweden)**  
Agnesbergsvägen 28  
424 38 Agnesberg  
Sweden  
Tel: +46 (0) 31 21 22 45  
Fax: +46 (0) 31 787 65 10

[www.skyjack.com](http://www.skyjack.com)