

niftylift

HR28 4x4



(A) 28m
92ft



(B) 26m
85ft 6in



(C) 19m
62ft



280kg
620lbs



2.4m x 0.9m
7ft 10in x 2ft 11in



150°



180°



(D) 2.7m
8ft 10in



(F) 2.49m
8ft 2in



(H) 7.3m
23ft 11in



(J) 9.28m
30ft 5in



4.7km/h
3mph



5.9m
19ft 4in



40%
22°



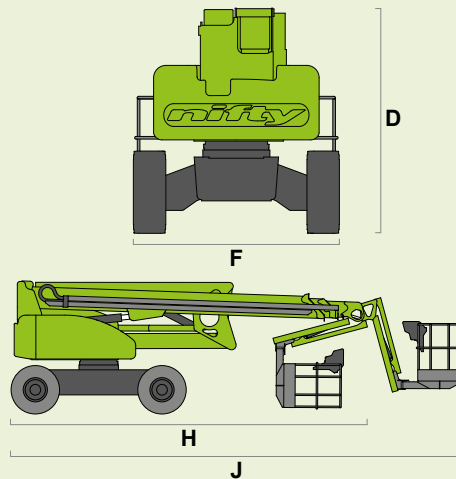
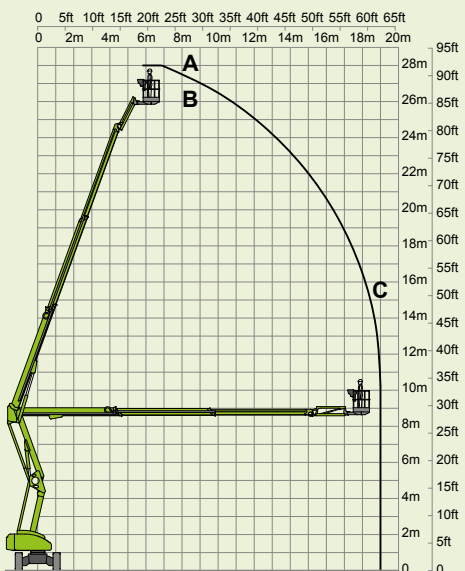
14650kg
32300lbs



Hybrid²



THE QUEEN'S AWARDS
FOR ENTERPRISE:
INNOVATION
2019



SiOPS® Gen² Hybrid
Niftylink®

niftylift

Chalkdell Drive, Shenley Wood,
Milton Keynes, MK5 6GF
England, United Kingdom
+44 1908 223456
sales@niftylift.com
www.niftylift.com

 ISO 9001 QUALITY MANAGEMENT	 ISO 14001 ENVIRONMENTAL MANAGEMENT	 ISO 45001 HEALTH & SAFETY MANAGEMENT
-----------------------------------------------------------------------------------------------------------------------	------------------------------------------------------------------------------------------------------------------------------	--------------------------------------------------------------------------------------------------------------------------------

IS-107