

# niftylift



# HR15N



(A) 15.5m  
51ft



(B) 13.5m  
44ft



(C) 9.7m  
32ft



225kg  
500lbs



1.5m x 0.8m  
4ft 11in x 2ft 8in



150°



180°



(D) 1.99m  
6ft 6in



(F) 1.5m  
4ft 11in



(H) 4.93m  
16ft 2in



(J) 6.4m  
21ft



3.5km/h  
2.2mph



3.5m  
11ft 6in



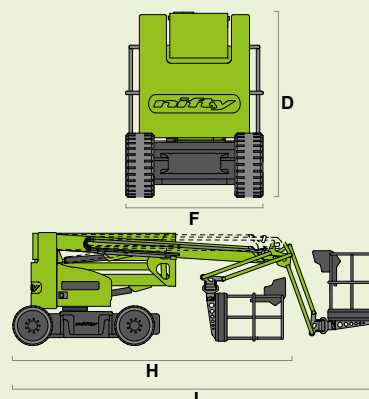
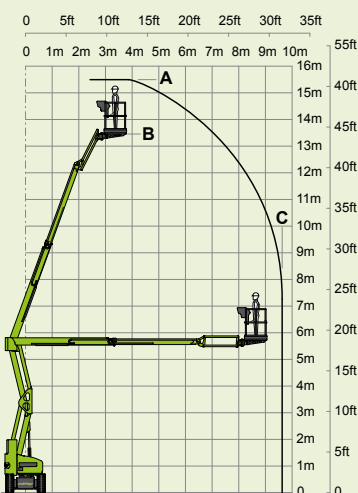
25%  
14°



7250kg  
15980lbs



Hybrid<sup>2</sup>



SiOPS<sup>®</sup> All-Electric  
toughcage Gen<sup>2</sup> Hybrid  
Niftylink<sup>®</sup>

## niftylift

Chalkdell Drive, Shenley Wood,  
Milton Keynes, MK5 6GF  
England, United Kingdom  
+44 1908 223456  
sales@niftylift.com  
www.niftylift.com

